



# ASIMETO

CATALOG NO. AS1617

آذر صنعت  
تلفن : ۶۶۷۲۲۲۵ (۴ خط)

[www.azarsanat.com](http://www.azarsanat.com) - [info@azarsanat.com](mailto:info@azarsanat.com)

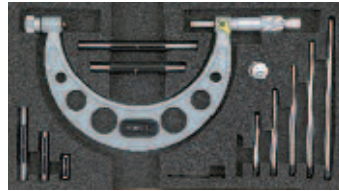


## Interchangeable Anvil Outside Micrometers

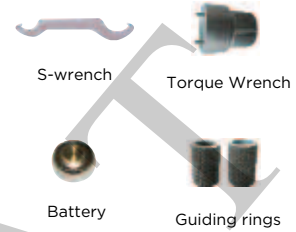
111 / 115 Series



Digital models



111-06-1



Battery

Guiding rings

Standard

### STANDARD ACCESSORIES

- S-wrench, Battery (Digital models), Standards, Interchangeable Anvils, Torque Wrench, 2 Guiding rings
- Warranty card, Instruction manual, Calibration certificate

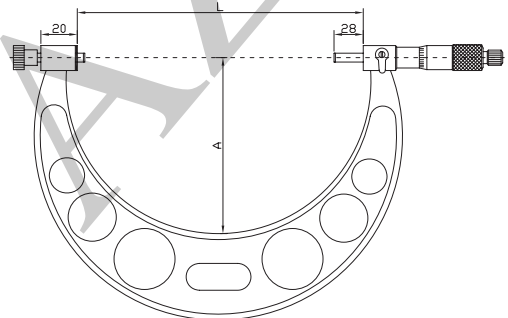
### FEATURES

- Resolution:
  - Digital reading: .00005" / 0.001mm
  - Scale on digital models: .0001" / 0.01mm
  - Scale on mechanical models: .001" / 0.01mm
  - Flatness: .00004" / 1µm
- Ratchet stop
- Interchangeable anvils provide wider measuring ranges
- Carbide tipped measuring faces
- Grey painted steel frame for models up to 12"/300mm
- Grey welded pipe frame for models over 12"/300mm models
- Inch/Metric conversion
- Upon switching on the display will read the actual absolute measuring position
- Automatic On/Off to maximize battery life
- Absolute or incremental measuring modes
- Protection level IP65

### SPECIFICATIONS

Inch		Metric				Digital models		Mechanical models	
Range	Accuracy	Range	Accuracy	Anvils	Standards	Inch Code No.	Metric Code No.	Inch Code No.	Metric Code No.
0-6"	±.0002"	0-150mm	±0.006mm	6 pcs	5 pcs	115-06-1	115-06-0	111-06-1	111-06-0
6-12"	±.0003"	150-300mm	±0.009mm	6 pcs	6 pcs	115-12-1	115-12-0	111-12-1	111-12-0
0-4"	±.0002"	0-100mm	±0.006mm	4 pcs	3 pcs	115-04-7	115-04-6	111-04-7	111-04-6
4-8"	±.0003"	100-200mm	±0.009mm	4 pcs	4 pcs	115-08-7	115-08-6	111-08-7	111-08-6
8-12"	±.0003"	200-300mm	±0.009mm	4 pcs	4 pcs	115-12-7	115-12-6	111-12-7	111-12-6
12-16"	±.0004"	300-400mm	±0.011mm	4 pcs	2 pcs	115-16-1	115-16-0	111-16-1	111-16-0
16-20"	±.0005"	400-500mm	±0.013mm	4 pcs	2 pcs	115-20-1	115-20-0	111-20-1	111-20-0
20-24"	±.0006"	500-600mm	±0.015mm	4 pcs	2 pcs	115-24-1	115-24-0	111-24-1	111-24-0
24-28"	±.0006"	600-700mm	±0.016mm	4 pcs	2 pcs	115-28-1	115-28-0	111-28-1	111-28-0
28-32"	±.0007"	700-800mm	±0.018mm	4 pcs	2 pcs	115-32-1	115-32-0	111-32-1	111-32-0
32-36"	±.0008"	800-900mm	±0.020mm	4 pcs	2 pcs	115-36-1	115-36-0	111-36-1	111-36-0
36-40"	±.0008"	900-1000mm	±0.020mm	4 pcs	2 pcs	115-40-1	115-40-0	111-40-1	111-40-0

Dimension



Note: The individual anvils are matched as a set with the frame. The accuracy can not be guaranteed if used with a different frame

Range	Range	A	L
Inch	Metric	mm	mm
0-6"	0-150mm	82	158
6-12"	150-300mm	165	308
0-4"	0-100mm	57	108
4-8"	100-200mm	114	208
8-12"	200-300mm	165	308
12-16"	300-400mm	224	409
16-20"	400-500mm	275	509
20-24"	500-600mm	321	609
24-28"	600-700mm	371	709
28-32"	700-800mm	426	809
32-36"	800-900mm	476	909
36-40"	900-1000mm	576	1009